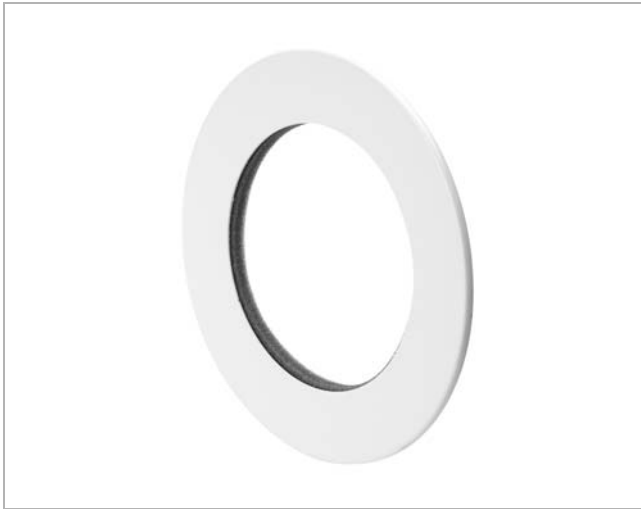
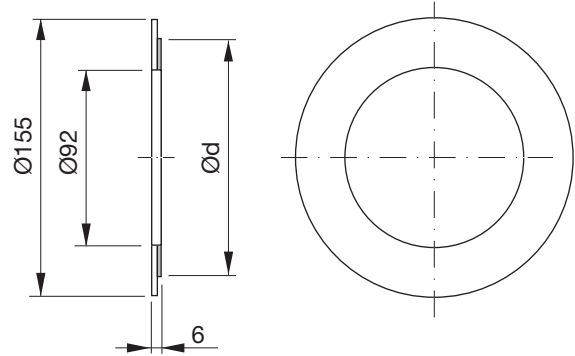


Cover plate

VTKR



Dimensions



Description

Plate to cover the outer part of the brim of the socket.

Materials and finish

Material

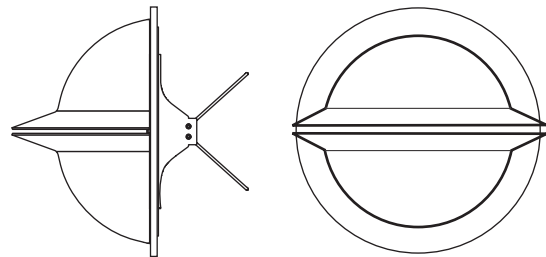
Coated galvanized sheet metal.

Colour

White RAL 9003, gloss 30 or white RAL 9010 gloss 30.

Ød nom	m [kg]
125	0,07

Cover plate together with valve VTK Ø125



Ordering example

	VTKR	125	9003
Product			
Dimension Ød ₁			
Colour			