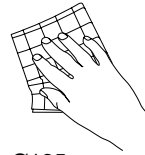
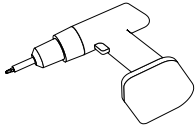


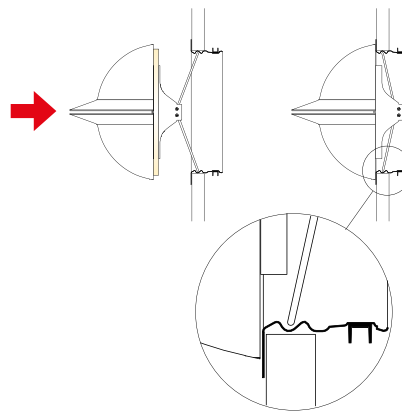
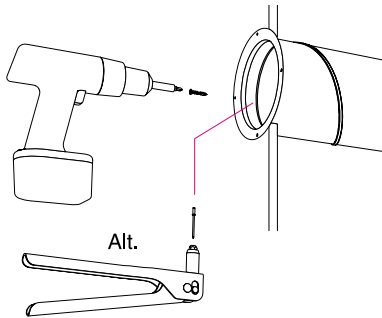
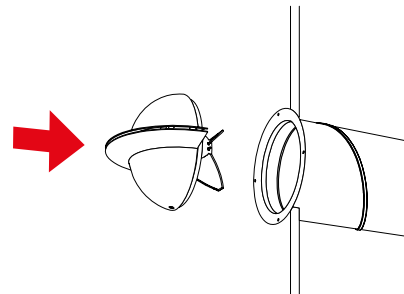
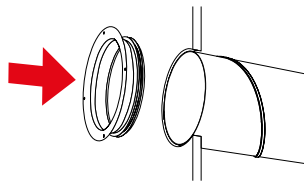


Diffuser

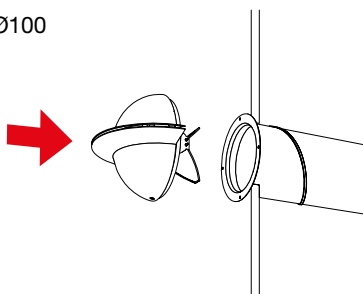
WTK



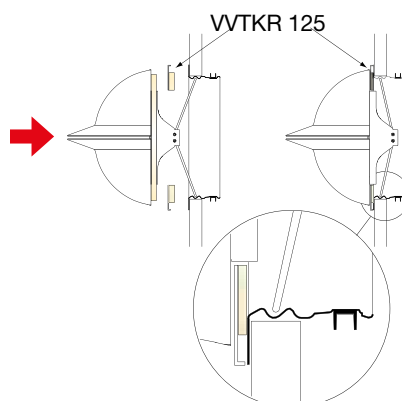
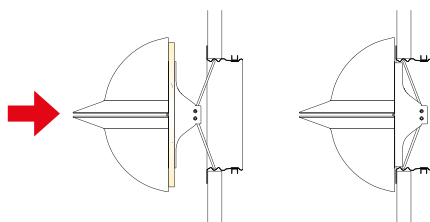
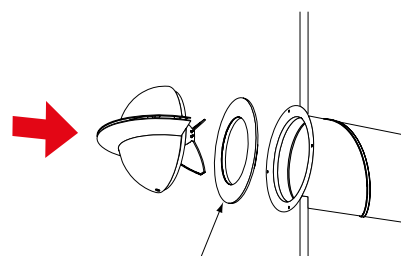
Ø125
Alt 1



Ø100



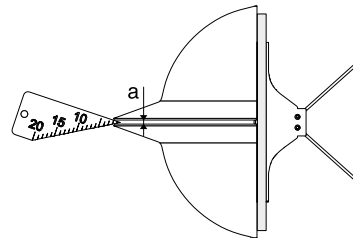
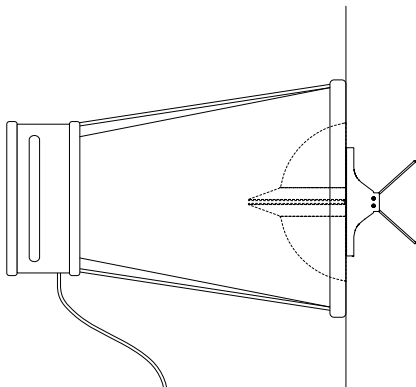
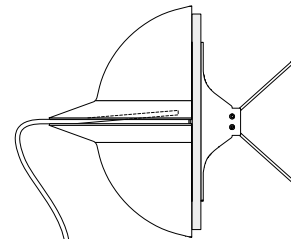
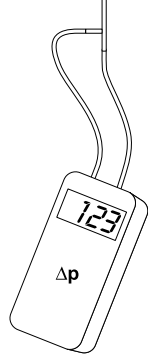
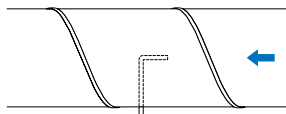
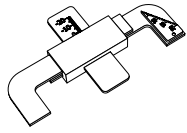
Ø125
Alt 2





Diffuser

WTK



Ø mm	Valve mounted in	Setting a [mm]						
		a	6	8	10	12		
100	Duct	k	1,14	1,44	1,85	2,48		
		a	6	7	8	10	12	16
125	Duct	k	1,25	1,51	1,87	2,16	2,73	3,61
		a	6	7	8	10	12	16