



Mounting instruction

Membrane lead-through

MG



MGL





Contents

Application - MG3
 Product description.....3
 Assembly example4
 Assembly sequence5
 Dimensions5
 Application - MGL.....6
 Assembly.....6
 Dimensions7

Membrane lead-through

MG

Vapour diffusion tight membrane grommet for all types of air ducts, ventilation ducts or cables, for roof pitches of 0° - 55°.

Application



MG – use as wind barrier.



Membrane lead-through MG

The EnEC prescribes that the air exchange rate due to leaks in the building envelope for buildings with ventilating and air conditions systems at 50 Pa must not exceed the value 1.5h-1 (Blower - Door - Test).

Above all it is about saving energy, but also as a result preventing moisture damage due to condensation in the insulation.

Amongst other things this requires leak tight connections and installations in the wall and roof area.

Vapour diffusion tight building component implementations are therefore indispensable in the low energy and passive house building area.

With the Lindab membrane grommets a completely leak tight implementation as a vapour barrier can be realised - both in the roof area and on the outside wall.

Lindab membrane grommets are used, where completely leak tight solutions to installation of air ducts, pipes or cables are required.

Product description

The MG membrane grommet is made from a 1.0mm thick aluminium frame, which is integrated into a special flexible 2 component rubber membrane.

The grommet is available in various sizes for pipe diameters up to 710mm.

The membrane grommet can be glued on or screwed on.

External

Membrane grommet

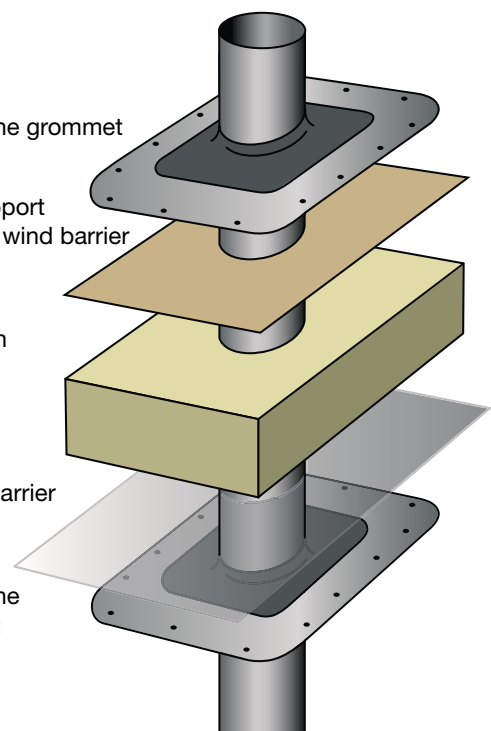
Roof support system / wind barrier

Insulation

Vapour barrier

Membrane grommet

Internal



Diverse applications, according to roof construction.

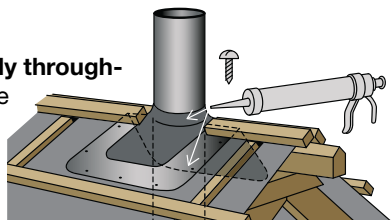


MG application on both sides, can be used according to installation situation.



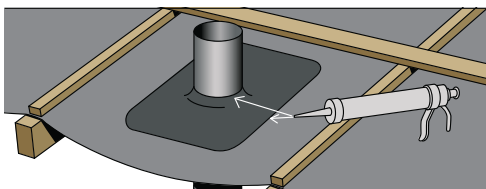
Membrane lead-through MG

Assembly through-roof ridge



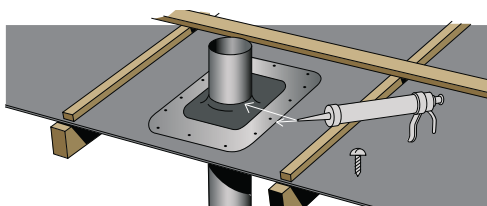
Bend the membrane grommet in the middle, stick on and screw on if necessary.

Affix to sealing course



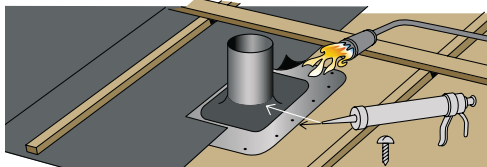
Stick on the membrane grommet.

Assembly on fixed roof support system



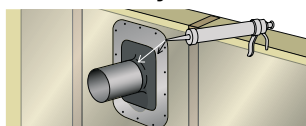
Stick on and poss. screw on the membrane grommet.

Assembly on fixed roof support system with roofing membrane



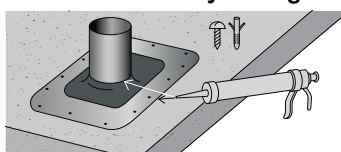
Stick on and poss. screw on the membrane grommet, before attaching the welding seam.

Wall assembly



After assembly of the vapour barrier/wind barrier stick on the membrane grommet.

Concrete or storey ceiling



Stick on and poss. screw the membrane grommet onto the raw ceiling, before further floor construction.

Assembly example

The Lindab membrane grommet can be used for roof pitches of 0° to 55° without additional measures.

In the roof ridge the grommet must be bent in the middle and then adjusted to the appropriate roof pitch.

The membrane can be adjusted easily, by cutting a hole that is 20mm smaller than the size of the building component to be implemented.

The membrane can be affixed with double sided sticky tape or glue.

To attach to rigid roof support structures, concrete and/or storey roofs, screw holes are provided.

When assembling with screws the points of contact must be sealed with sealing agent.

After assembly the impact points between implemented building component and membrane, in particular in the area of pipe joints, should be jointed with sealing agent.

As an adhesive and for sealing the sealing agent cartridges with an MS polymer base that are optionally available with the membrane grommets should be used.

If the plate is rotated, the Lindab membrane grommet can be used for fixed roof support system with roofing membrane.

The roofing membrane can then be carefully welded onto the aluminium sheet.

Advantages

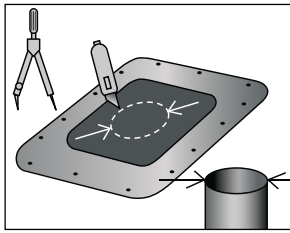
- flexible application
- quick and easy assembly
- ensures highest airtightness
- prevents structural damages due to water vapour diffusion



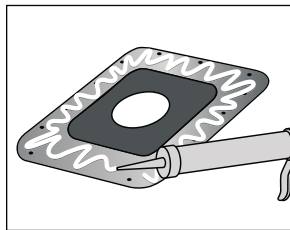
Membrane lead-through MG

Assembly sequence

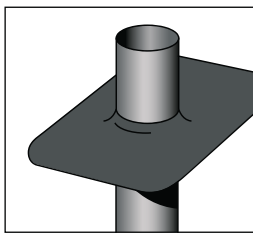
1. Cut a hole 20mm smaller than the building component to be implemented (if necessary consider roof pitch).



2. Coat the aluminium frame with glue.



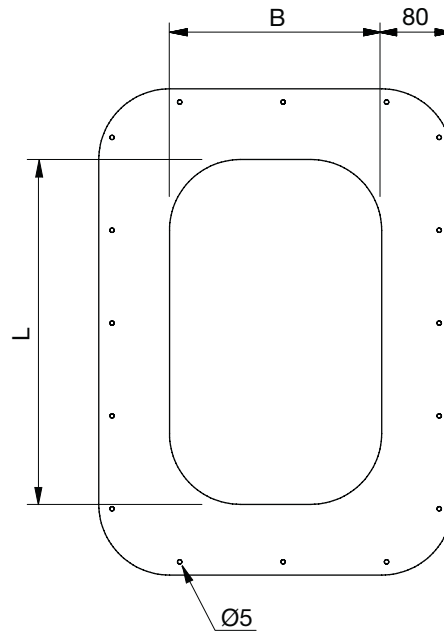
3. Pull the membrane grommet over the component.



4. Glue the membrane grommet onto the connecting building component or screw on and seal.
5. If necessary seal permeation.

As an adhesive and for sealing the sealing agent cartridges with an MS polymer base that are optionally available with the membrane grommets should be used.

Dimensions



Special dimensions, can be used for 0° pitch and pipes of 100 - 160 diameter

| Type | Max. pipe dimension □ / diameter mm | W x L x C mm | m kg |
|---------|--|-----------------|---------|
| MG 1016 | 160 | 200 x 200 x 50 | 0,32 |

Standard installations

| Type | Max. pipe dimension □ / diameter mm | W x L x C mm | m kg |
|--------|--|-----------------|---------|
| MG 100 | 110 | 150 x 235 x 80 | 0,40 |
| MG 200 | 200 | 240 x 390 x 80 | 0,78 |
| MG 315 | 315 | 355 x 565 x 80 | 1,36 |
| MG 400 | 405 | 445 x 750 x 80 | 1,76 |
| MG710 | 710 | 750 x 1280 x 80 | 2,00 |



Membrane lead-through MGL

Vapour diffusion seal, self adhesive membrane grommet for all types of building component penetrations for slight pitches.

Application

For sealing building components which penetrate the roof or wall construction and/or the vapour barrier.

Specially for low energy and/or passive house building.

Membrane grommet light - an adhesive design for a completely tight implementation of air ducts, ventilation pipes, cables or other building components up to 355mm diameter.

Membrane grommet made of special, flexible synthetic rubber with double sided adhesive strips. In particular for bonding to sheets or roofing membranes.

Assembly

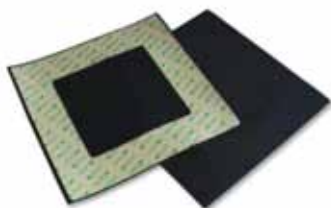
The membrane is easy to adjust; the recess is cut 20mm smaller than the building component to be implemented.

The membrane is bonded to the vapour block with the adhesive strip attached in the factory.

Only for bonding to smooth, clean surfaces.

After assembly the impact points between implemented building component and membrane, in particular in the area of pipe joints, should be jointed with sealing agent.

As an adhesive and for sealing the sealing agent cartridges with an MS polymer base that are optionally available with the membrane grommets should be used.

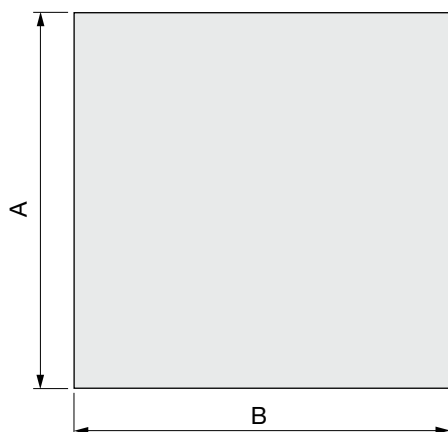


With double sided adhesive tape on one side.



Membrane lead-through MGL

Dimensions



Standard installations

| Type | Max. pipe dimension □ / diameter mm | W × L × C mm | m kg |
|--------|--|-----------------|---------|
| MG 80 | 80 | 200 × 200 | 0,10 |
| MG 125 | 125 | 250 × 250 | 1,10 |
| MG 160 | 160 | 300 × 300 | 0,15 |
| MG 250 | 250 | 400 × 400 | 0,20 |
| MG 355 | 355 | 500 × 500 | 0,25 |

