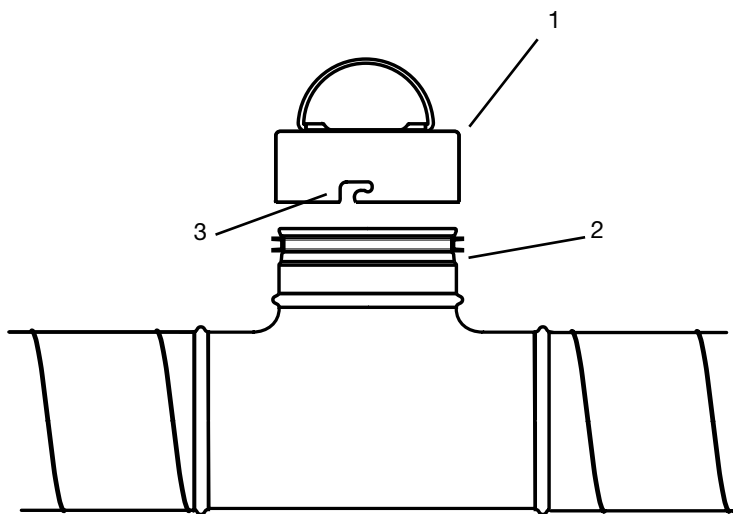


Lindab **Access door EPFH**

Mounting instruction

Access door

EPFH with bayonet locking



- 1 Cover
- 2 Fitting
- 3 Slot

1. Push the cover onto the fitting and make sure the cover is secure and level all around (Fig. 1).
2. Mark the holes for the rivets (Fig. 2).
3. Remove the cover (Fig. 3).
4. Drill holes for the rivets (Fig. 3).
5. Insert the rivets so that they extend past the drilled holes.
6. Push the cover back onto the fitting so the rivets enter the slots (Fig 4).
7. Turn the cover clockwise to lock it into place (Fig. 4).

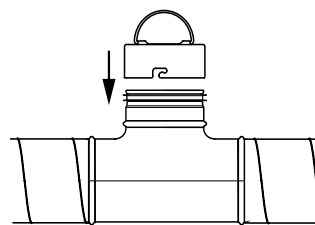


Fig. 1

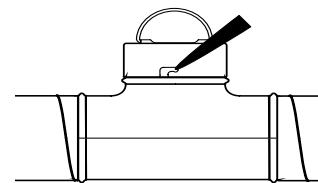


Fig. 2

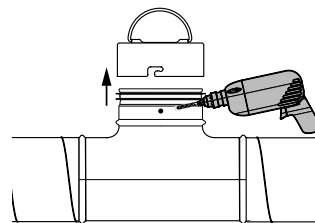


Fig. 3

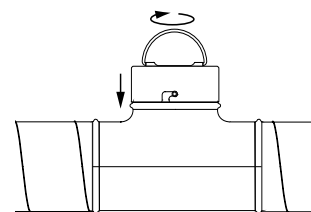


Fig. 4



Most of us spend the majority of our time indoors. Indoor climate is crucial to how we feel, how productive we are and if we stay healthy.

We at Lindab have therefore made it our most important objective to contribute to an indoor climate that improves people's lives. We do this by developing energy-efficient ventilation solutions and durable building products. We also aim to contribute to a better climate for our planet by working in a way that is sustainable for both people and the environment.

[Lindab | For a better climate](#)