

Verso S 3000 F C5

Nominal air flow, m ³ /h	3915
Nominal air flow, l/s	1088
Electric power input of the fan drive at reference flow rate, W	629
Filters dimensions BxHxL, mm	450x480x96
Unit dimensions BxHxL, mm	1015x555x1160
Panel thickness, mm	50
Maintenance space, mm	600
Unit weight, kg	130



Acoustic data

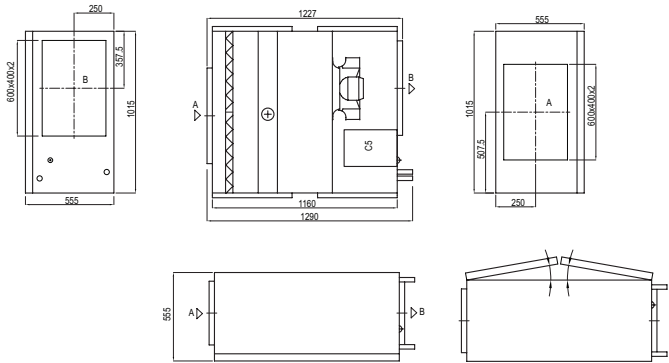
A-weighted sound power level L_{WA} , dB(A) at nominal flow rate

Supply inlet	66
Supply outlet	77
Casing	52

A-weighted sound pressure level L_{PA} , dB(A)

10 m² normally isolated room, distance from casing – 3 m.

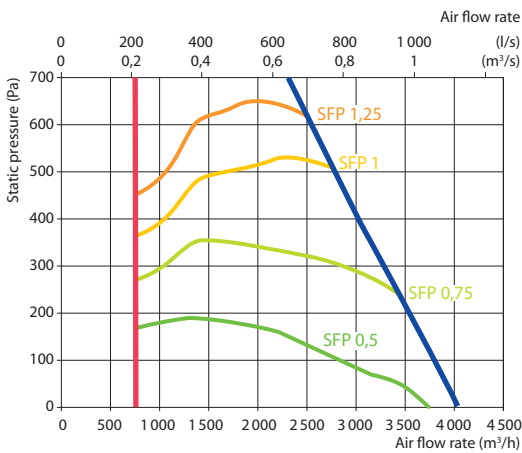
Surroundings	42
--------------	----



Technical data

Supply air handling unit	Supply voltage, V	Air heater capacity, kW	Maximal operating current, A	ΔT , °C
Verso S 3000 F-HW	3~400	-	3,8	-

Performance



* Compliance to ErP2018 requirements check with the selection program.

Hot water air heater

Water temperature in/out, °C	80/60	70/50	60/40
Capacity, kW	35,4	35,4	35,4
Flow rate, dm ³ /h	1557	1550	1509
Pressure drop, kPa	3,3	3,3	3,3
Temperature in/out, °C	-5 / 22,0	-5 / 22,0	-5 / 22,0
Maximal capacity, kW	54,4	46,1	37,7
Connection, "	1		

Accessories

Closing damper	SRU-M-600x400+LF24/LM24
Silencer	A STS-IVR3BA-600-400-700-S
	B STS-IVR3BA-600-400-1250-S
PPU	PPU-HW-3R-25-6.3-W2
Air heater-cooler	DCW-3,0-20
2-way valve	VVP45.25-6,3+SSB61
DX cooler	DCF-3,0-20-2
Cooling unit	2xMOU-36HFN8+KA8243

Mounting positions

