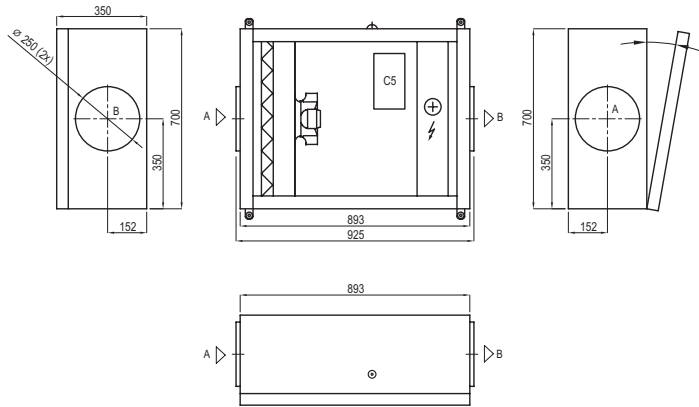


Verso S 1300 F C5

Nominal air flow, m ³ /h	1347
Nominal air flow, l/s	374
Electric power input of the fan drive at reference flow rate, W	350
Filters dimensions BxHxL, mm	558x287x46
Unit dimensions BxHxL, mm	700x350x893
Panel thickness, mm	50
Maintenance space, mm	400
Unit weight, kg	46



Acoustic data

A-weighted sound power level L_{WA} , dB(A)
at nominal flow rate

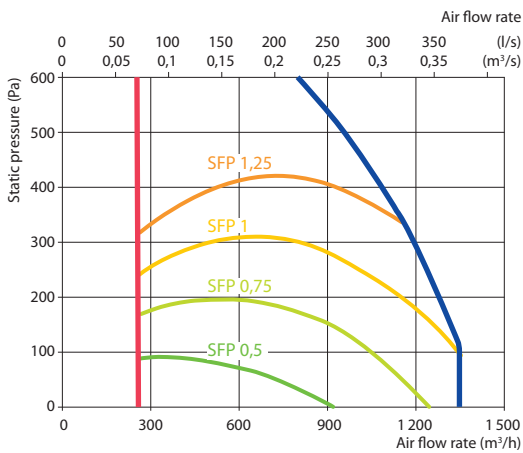
Supply inlet	74
Supply outlet	80
Casing	56

A-weighted sound pressure level L_{PA} , dB(A)

10 m² normally isolated room, distance from casing – 3 m.

Surroundings	46
--------------	----

Performance



* Compliance to ErP2018 requirements check with the selection program.

Technical data

Supply air handling unit	Supply voltage, V	Air heater capacity, kW	Maximal operating current, A	ΔT , °C
Verso S 1300 F-HE/9	3~400	9,0	15,7	19,5
Verso S 1300 F-HE/15	3~400	15,0	24,4	32,6
Verso S 1300 F-HW	1~230	–	3	–

Hot water air heater

Water temperature in/out, °C	80/60	70/50	60/40
Capacity, kW	10,7	8,9	7
Flow rate, dm ³ /h	471	389	303
Pressure drop, kPa	1,9	1,4	1
Temperature in/out, °C	-5 / 18,6	-5 / 14,6	-5,0 / 10,3
Maximal capacity, kW	10,7	8,9	7
Connection, "		½	

Accessories

Closing damper	AGUJ-M-250+LF24/LM24
Silencer	A AGS-250-50-900-M
	B AGS-250-50-1200-M
PPU	PPU-HW-3R-15-2.5-W2
Air heater-cooler	DCW-1,4-9
2-way valve	VVP47.20-4,0+SSP61
DX cooler	DCF-1,4-10
Cooling unit	MOU-36HFN8+KA8243

Mounting positions

