

# Ventilation grille

# F50/F51



## Description

The F50 is a circular aluminium grille with square grids. The F51 has exactly the same features and dimensions as the F50, but has pre-drilled holes on the front for installation in ceilings and walls.

The F50/51 is particularly suitable for air extract.

## Maintenance

The grille should be removed to enable cleaning of the duct system. The visible parts of the grille can be wiped with a damp cloth.

## Materials and finish

Material: Steel  
 Grille: Aluminium  
 Standard finish: Powder-coated  
 Standard colour: RAL 9003 or 9010 Gloss 30

The grille is available in other colours. Please contact Lindab's sales department for further information.

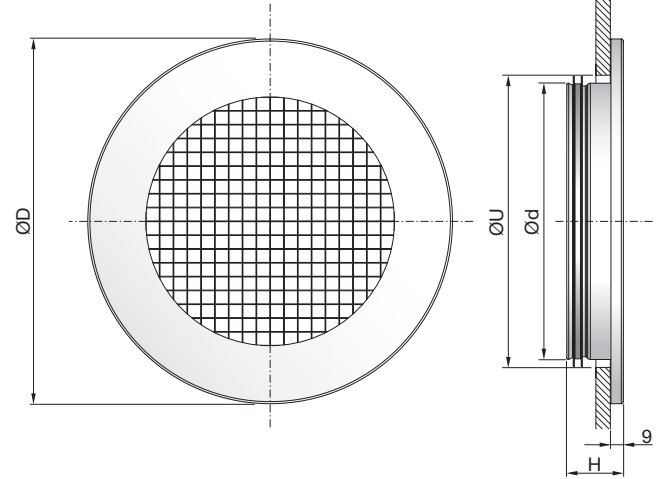
## Order code



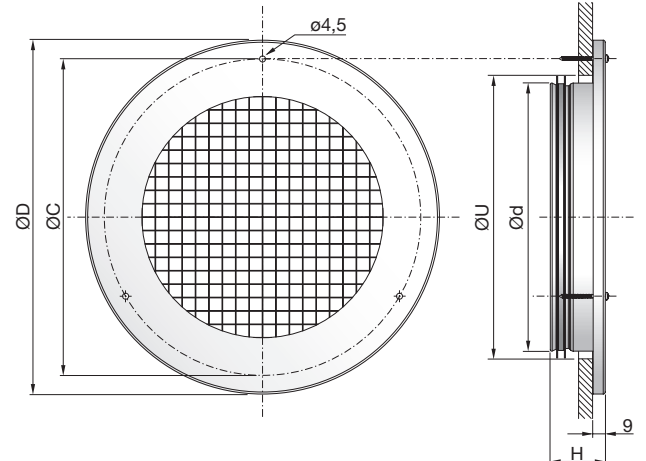
Example: F50 - 250

## Dimensions

### F50



### F51



| F50/F51 | Ød<br>mm | ØD<br>mm | ØC*<br>mm | ØU**<br>mm | H<br>mm | Free<br>area A<br>m <sup>2</sup> | m<br>kg |
|---------|----------|----------|-----------|------------|---------|----------------------------------|---------|
|         | 100      | 162      | 136       | 110        | 41      | 0.0047                           | 0.30    |
|         | 125      | 187      | 161       | 135        | 41      | 0.0079                           | 0.40    |
|         | 160      | 222      | 196       | 170        | 41      | 0.0138                           | 0.45    |
|         | 200      | 264      | 236       | 210        | 41      | 0.0216                           | 0.60    |
|         | 250      | 314      | 286       | 260        | 61      | 0.0353                           | 0.80    |
|         | 315      | 379      | 351       | 325        | 61      | 0.0581                           | 1.10    |
|         | 400      | 466      | 436       | 410        | 81      | 0.0944                           | 1.60    |
|         | 500      | 566      | 536       | 510        | 81      | 0.1513                           | 2,00    |
|         | 630      | 696      | 666       | 640        | 81      | 0.2452                           | 2.90    |

\*ØC only valid for F51 grille.

Ød 100-250, the F51 variant has 3 pre-drilled holes on front for installation.

Ød > 250, the F51 has 4 pre-drilled holes.

The F50 has no pre-drilled holes for installation.

\*\*ØU = Cutting dimension

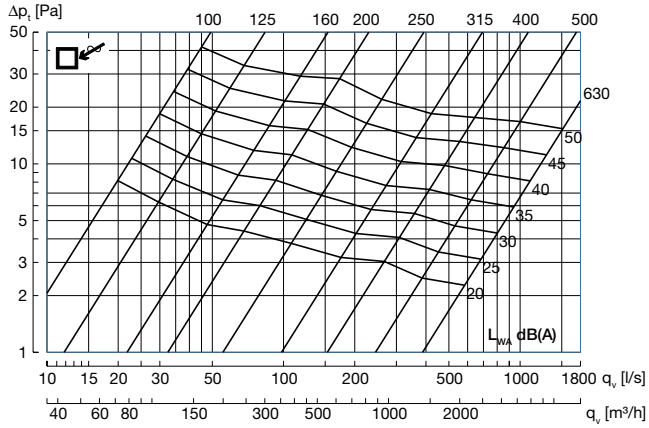
# Ventilation grille

# F50/F51

## Technical data

### Capacity

Volume flow  $q_v$  [l/s] and [m<sup>3</sup>/h], total pressure drop  $\Delta p_t$  [Pa], and sound level  $L_{WA}$  [dB(A)] can be seen in the diagrams.



### Frequency-related sound power level

The sound power level in the frequency band is defined as

$$L_{WA} + K_{ok}$$

$K_{ok}$  values are given in chart. See table below.

|          | Centre frequency Hz |     |     |     |    |    |     |     |
|----------|---------------------|-----|-----|-----|----|----|-----|-----|
|          | 63                  | 125 | 250 | 500 | 1K | 2K | 4K  | 8K  |
| $K_{ok}$ | 11                  | -4  | -6  | -6  | -5 | -5 | -20 | -16 |