

Duct sensor with housing

PRO-DTS



Description

PRO-DTS is a duct sensor that can measure the air temperature in ventilation and air handling installations. It can be used for a wide range of applications since there are models with different sensor elements and different insertion lengths.

Function

The duct sensor is suitable for all environments. Since the mounting bracket is made of a flexible material it closes tightly against the duct.

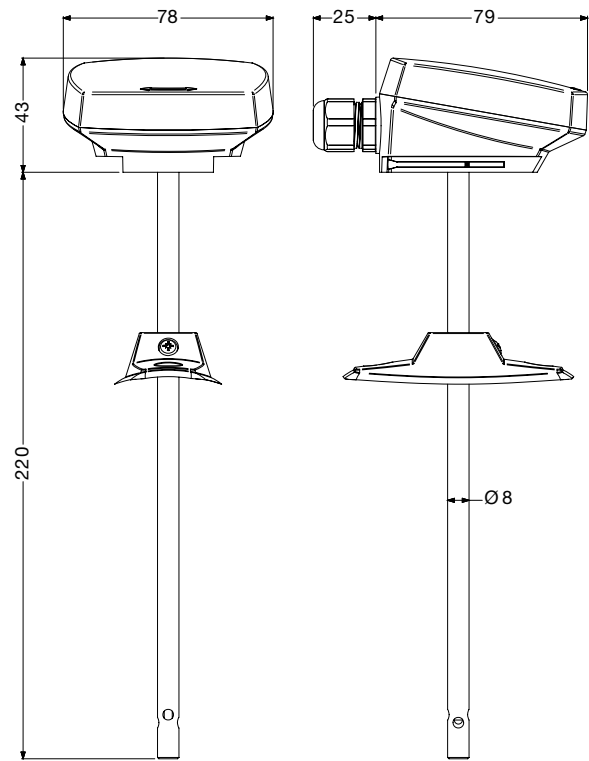
Installation

The duct sensor is very easy to mount and it has an adjustable insertion length. The terminal block for connecting the analog input to a controller is located under the cover. The cover is easily removed from the base with a twist. The sensor is designed so that the seal remains in the cover at all times and the cable gland is replaceable.

Material

Housing	Polycarbonate (PC)
Base	Polycarbonate (PC)
Probe	Stainless steel, SUS304

Dimensions



Technical data

Protection class	IP65
Time constant	16 s
Measuring range, temperature	-30...+70° C
Cable gland	M16
Diameter, probe	8 mm
Dimensions, external (WxHxD)	78 x 263 x 104 mm
Weight	0.19 kg
CE	This product carries the CE-mark. More information is available at www.lindab.com

Ordering example

Product	PRO-DTS
---------	---------