

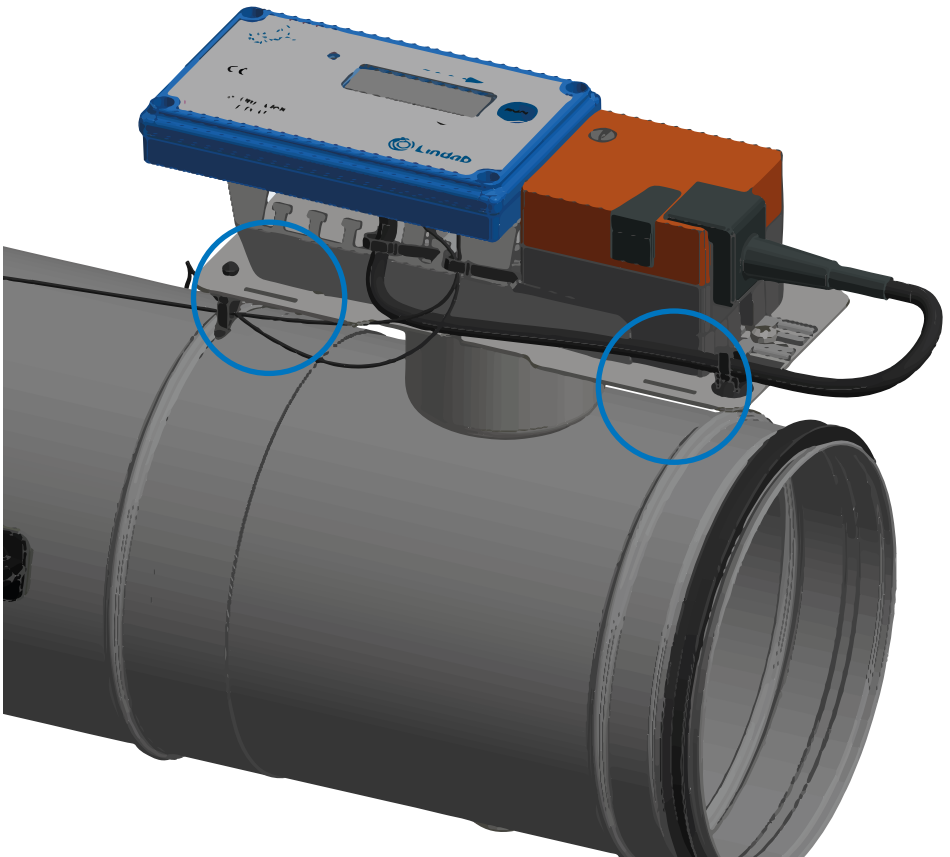
Lindab **UltraLink**[®] Shelf FTES

Mounting instruction

FTES is an accessory which makes it simpler to attach installation equipment like a junction box, Regula Combi and similar near the UltraLink. By attaching such equipment directly onto the body of the UltraLink or on the duct, leakage will occur. It is therefore recommended to attach the equipment on the FTES, this can then be attached to the UltraLink without the risk of leakage.

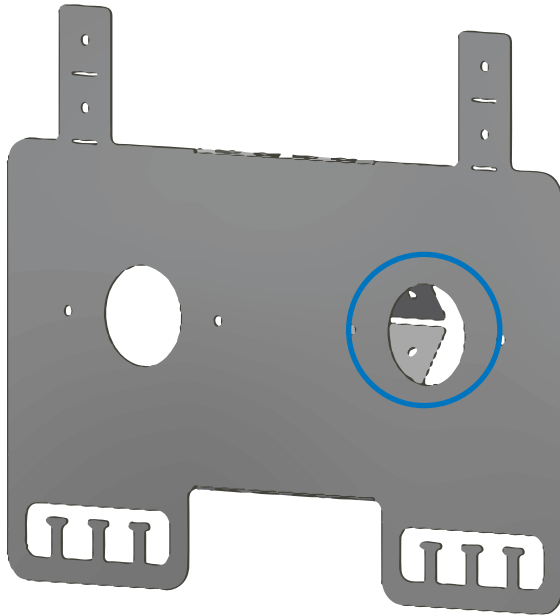
FTCU

The FTCU has a shelf, which the motor and display unit are mounted on. The shelf has two slots, the FTES is mounted in these two slots.

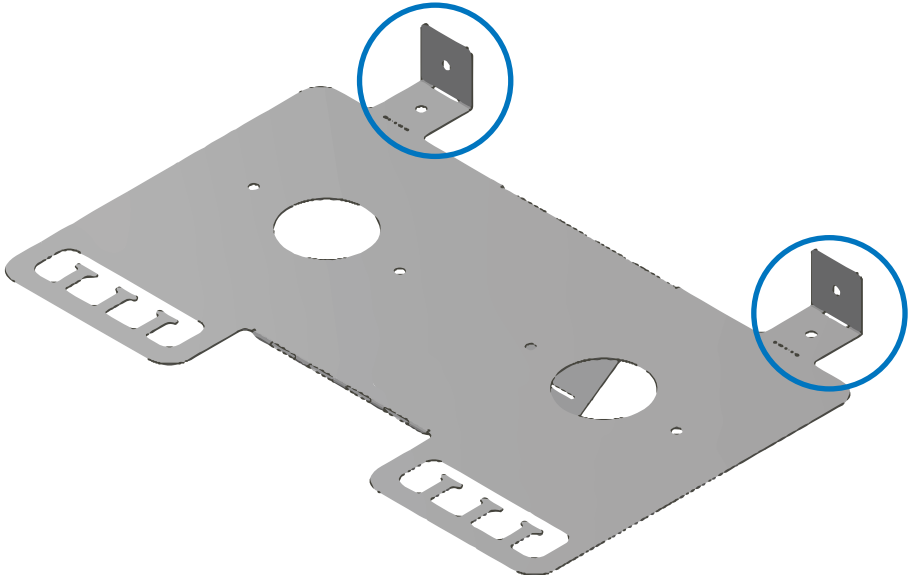


The FTES has no front and rear, follow the instructions in this manual to mount it correctly.

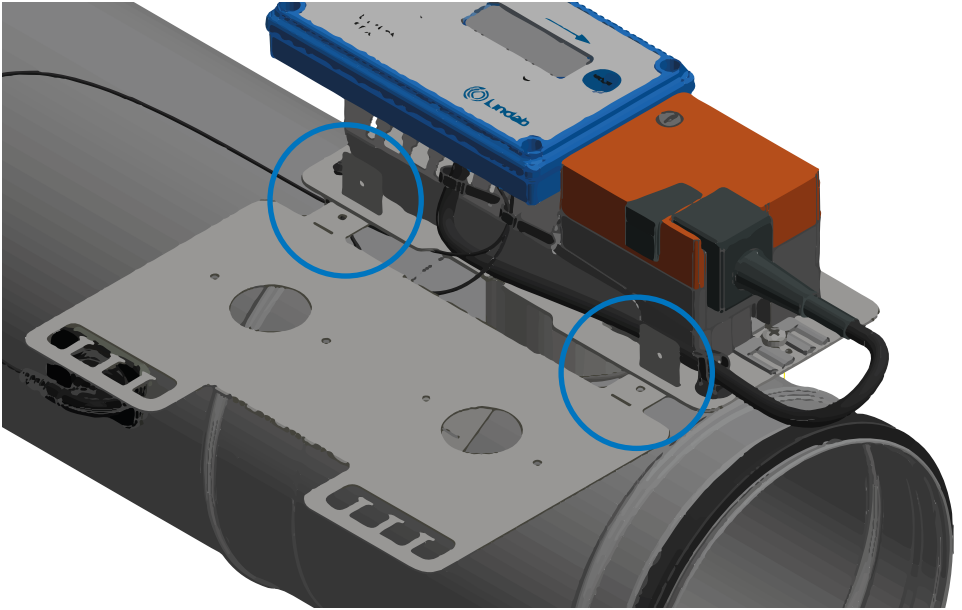
1. Bend the two wide parts at the perforation in the same direction until the ends meet.



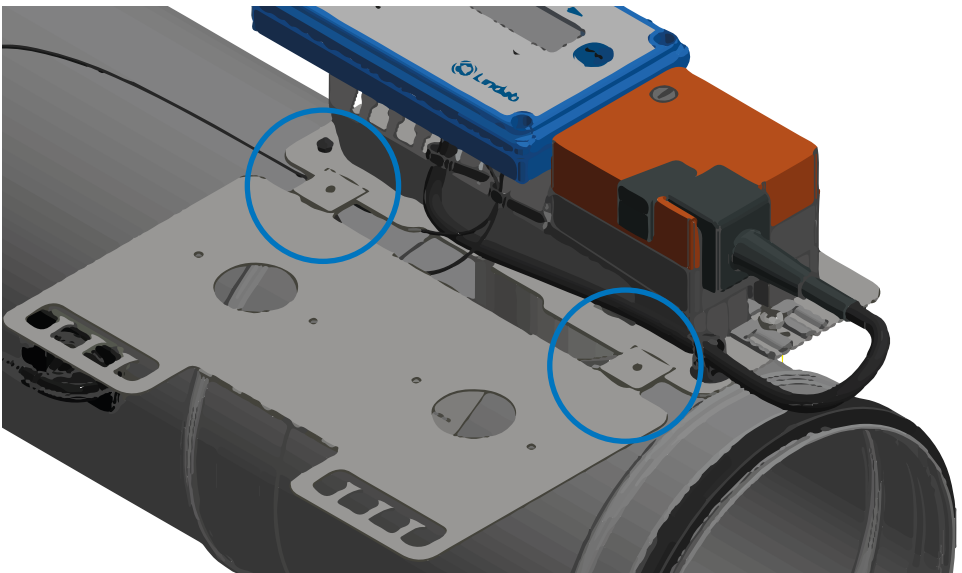
2. Bend the two smaller parts in the middle, in the opposite direction from the wide parts.



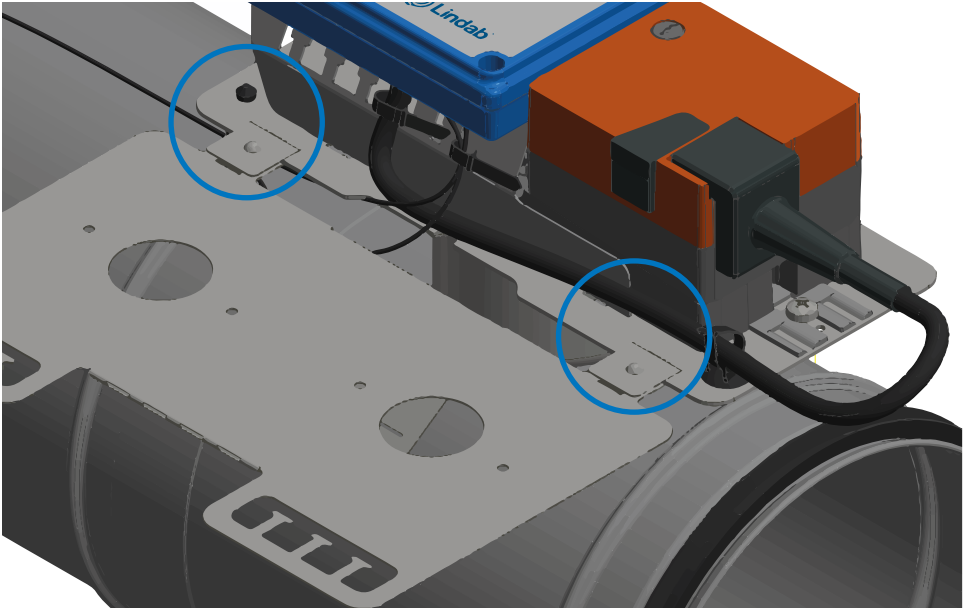
3. Insert the two small parts of the FTES into the slots in the FTCU's shelf from underneath.



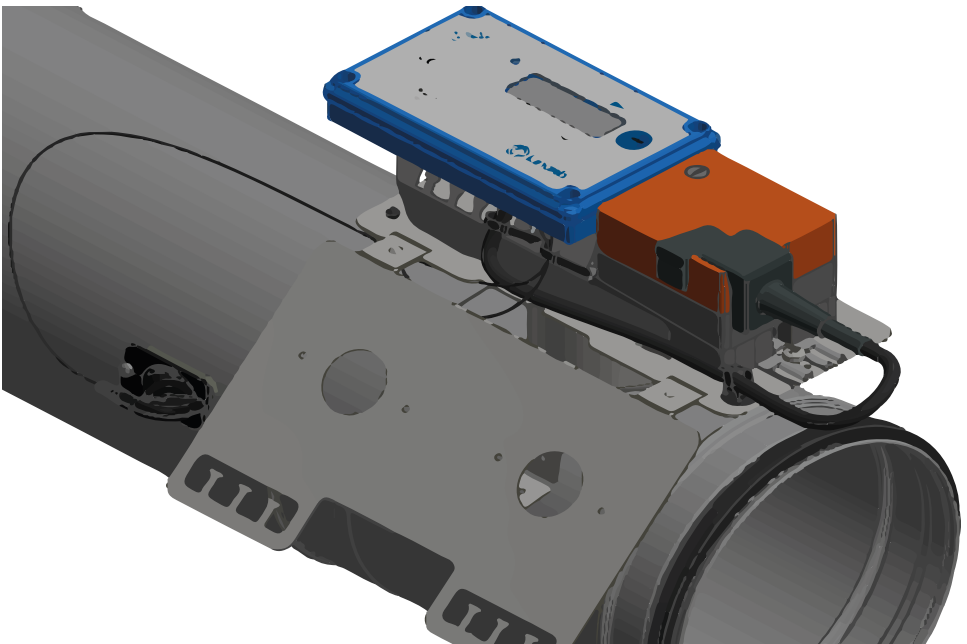
4. Bend the two smaller parts again, until they are approximately 180° bent.



5. Attach rivets in the holes to fix the FTES in place.



6. Bend the FTES so that it is positioned in a suitable angle to the FTCU.

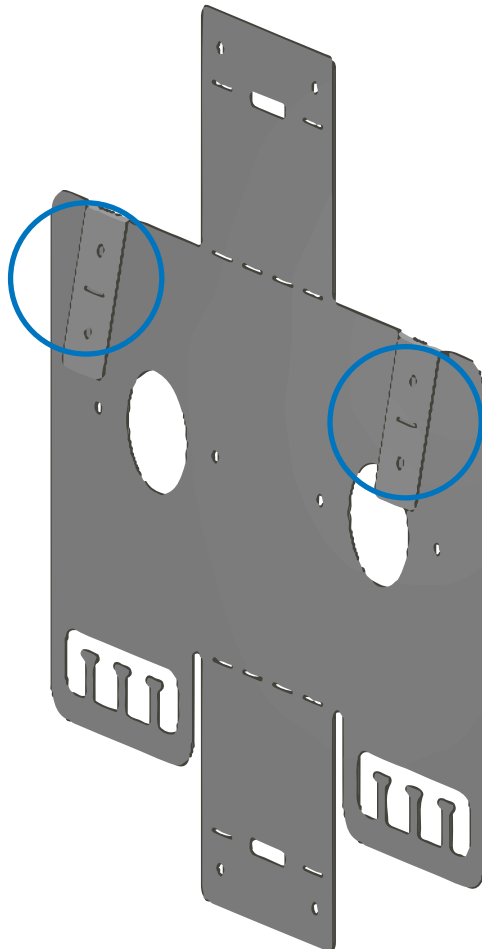


FTMU

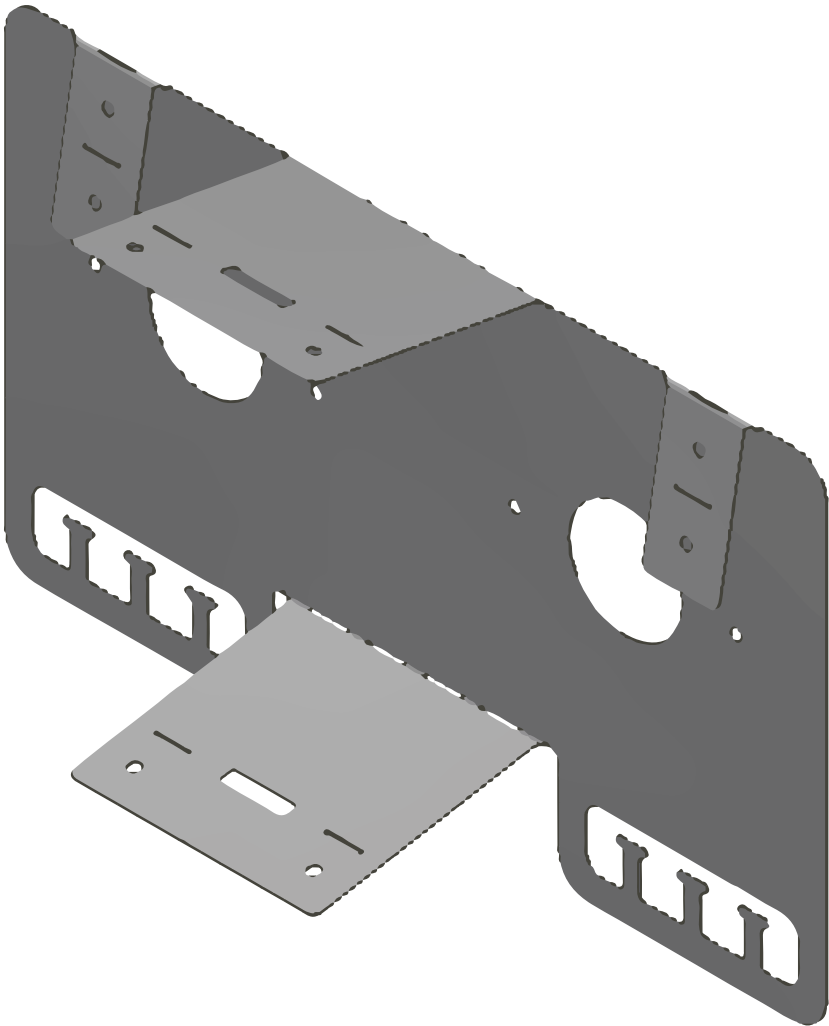
On the FTMU the display unit is mounted on a console which is held in place by a steel strap, which runs around the product. This strap is also used to keep FTES in place. One screw must be loosened on the strap, in order for the FTES to be attached the strap.

The FTES has no front and rear, follow the instructions in this manual to mount it correctly.

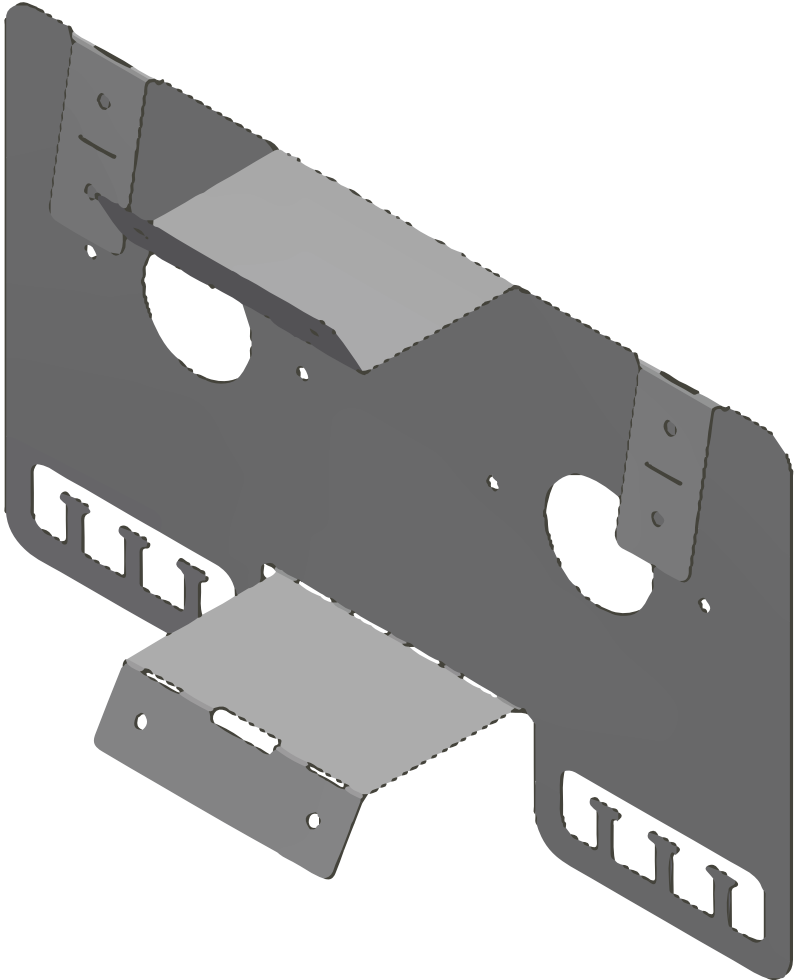
1. Bend the two small parts 180° at the perforation.



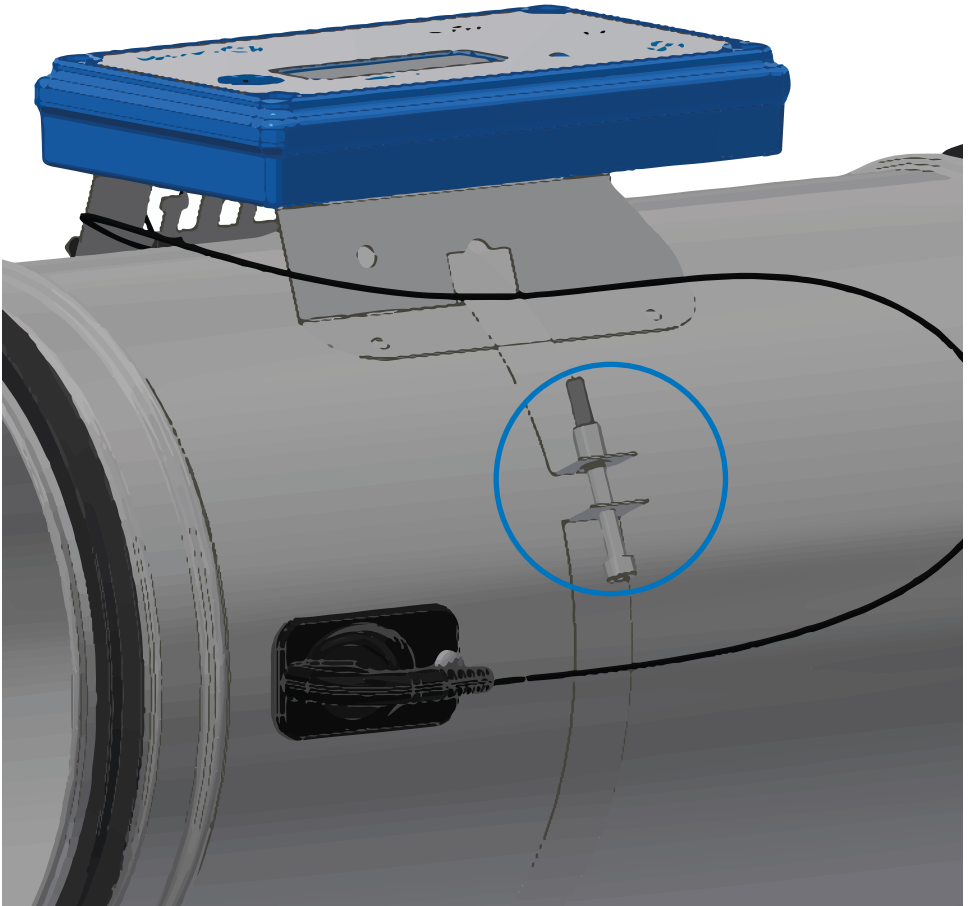
2. Bend the two larger parts 90° in the same direction as the two smaller parts.



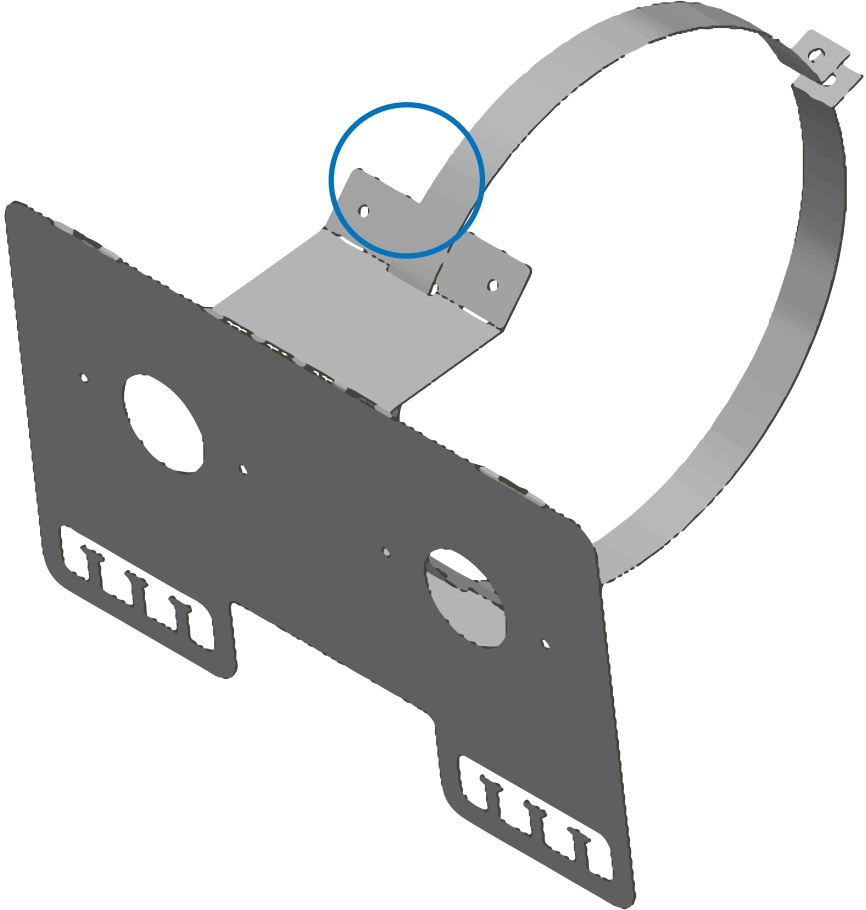
3. Bend the ends of the wide parts roughly 45° in the opposite direction. The angle depends on which dimension the FTMU is, for larger dimension an angle closer to 90° is suitable.



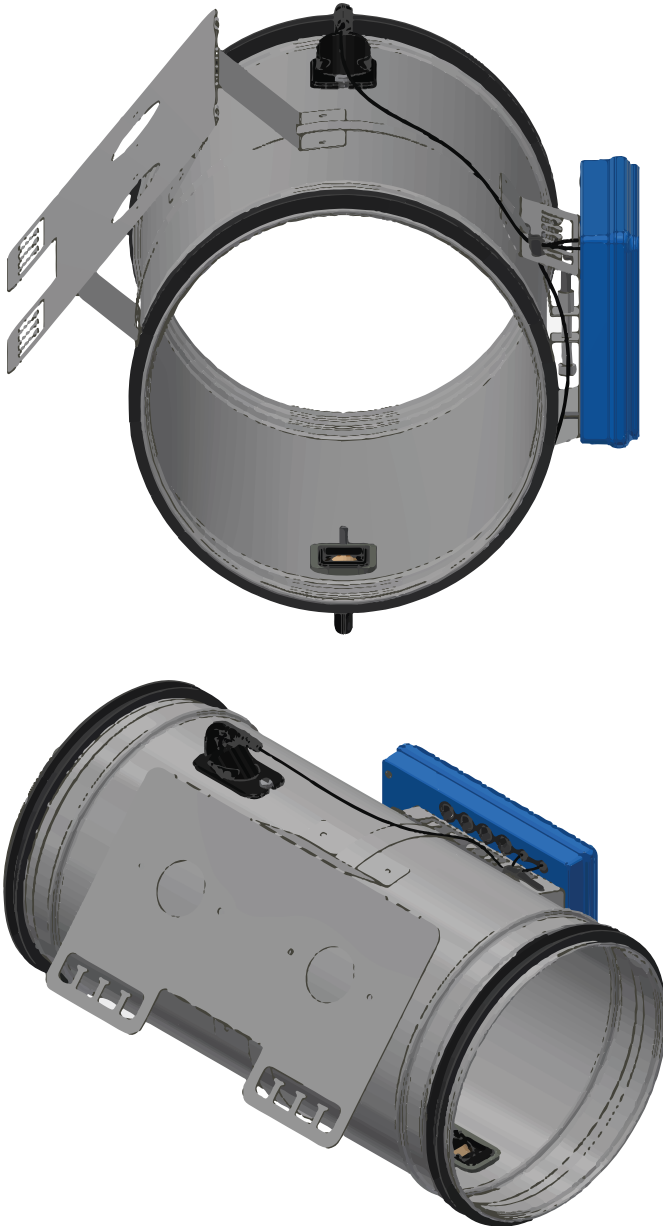
4. Loosen the screw on the steel strap which holds the display unit in place.



5. Run the strap through the slots in the FTES.



6. Run the strap through the slots in the display unit, then attach and tighten the screw. Both FTES and display unit should now be mounted roughly like the pictures below.





Good Thinking

At Lindab, good thinking is a philosophy that guides us in everything we do. We have made it our mission to create a healthy indoor climate – and to simplify the construction of sustainable buildings. We do that by designing innovative products and solutions that are easy to use, as well as offering efficient availability and logistics. We are also working on ways to reduce our impact on our environment and climate. We do that by developing methods to produce our solutions using a minimum of energy and natural resources, and by reducing negative effects on the environment. We use steel in our products. It's one of few materials that can be recycled an infinite number of times without losing any of its properties. That means less carbon emissions in nature and less energy wasted.

We simplify construction